

8-Lamp T5 HO Fluorescent High Bay

Nationally Recognized Fixture Design - Recipient of the 2008 Illuminating Engineering Society Progress Report for advancement to the art and science of Lighting.

Intended Application – The HT series optical design provides a one-for-one replacement of 450 Watt super metal halide high bays. Common installation applications include warehouse and manufacturing facilities, auditoriums, cafeterias, gymnasiums, automotive and truck repair centers, and retail centers.

Construction – The HT Series Light Fixture is constructed of inner-locking, heavy-duty extruded anodized aluminum channels that is light weight yet provides superior structural rigidity to resist deformation caused by heat, impact and vibration. The anodized aluminum construction offers exceptional chemical resistance. Tool-less top access of ballast and electronic chamber allows quick and easy access to vital components.

Reflector – Comes standard with high quality MIRO 4 aluminum reflectors with 95% reflectivity. We also offer a wide variety of materials for an extensive range of applications.

Electrical – High efficiency - high temperature (90°C) rated Sylvania Quicktronic® ballast with a 5 year warranty and Sylvania Pentron® High Output, High Performance T5 lamps 6500K with a 3 year warranty. Voltage Universal Voltage 120V –277 V and High Voltage 347V– 480V.

Approvals – ETL Listed, UL Listed Class P, Type 1, T5HO High Ambient Temperature Ballast

Mounting – Standard offering is aircraft cable with hook.

Passive Thermal Management – One of the main causes of premature ballast failure is ballast case heat build-up. Poor heat dissipation can cause the ballast case temperature to rise beyond the manufactures recommended operating temperature which will dramatically reduce ballast life. The HT Series anodized aluminum body has exceptional thermal conductivity properties. Heat dissipation performance has been enhanced by physically isolating the lamp and ballast compartments. Cross ventilation in the electronics compartment protects against ballast heat build-up.

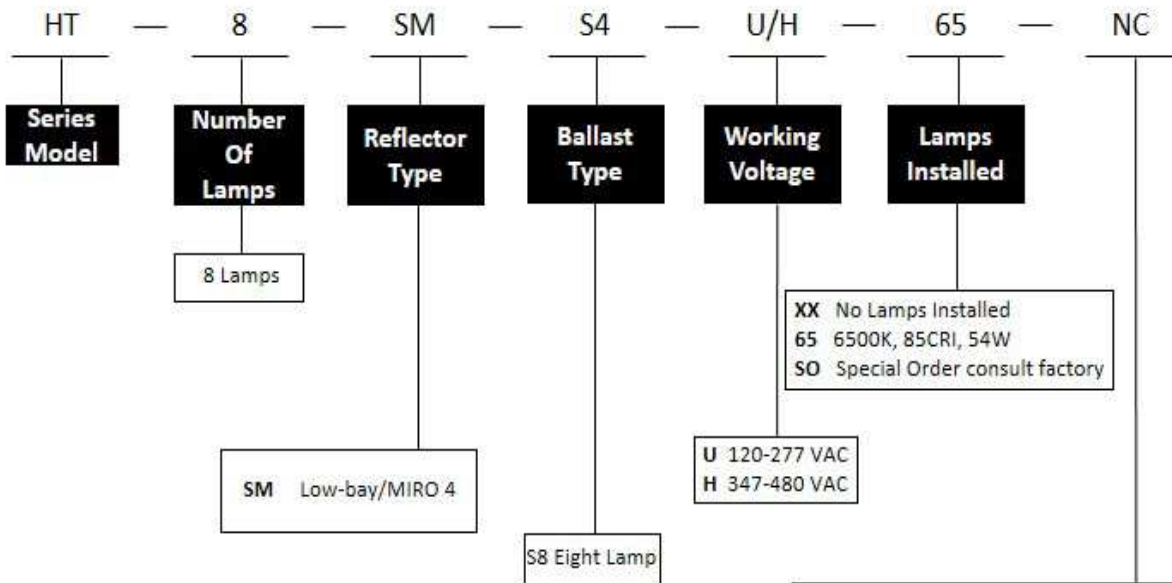
Modular Design – The HT Series is offered in three configuration levels.

- **Standard HT Fixture** – The standard HT Series light fixture is offered without controls and is operated like a standard light fixture with all lamps On/Off Switching only. The HT Series light fixture is a modular design that can be easily upgraded with occupancy sensor, Point of Use Control and/or Wireless Network Control.
- **Point of Use Control** – Offers Individual Fixture Dimming Control with Write to Memory Feature. Electronics component fan included.
- **Wireless Network Control** – Offers Dimming Control with Write to Memory Feature, Zone Management Control, Temporary Manual Override Control Feature, and Automated Scheduling Control. Light Harvesting ,Occupancy Sensor Control, and RFID Control are offered as optional modules. Electronics component fan included.

HT SERIES

Model HT-8-SM-S6-U

Part Number Description

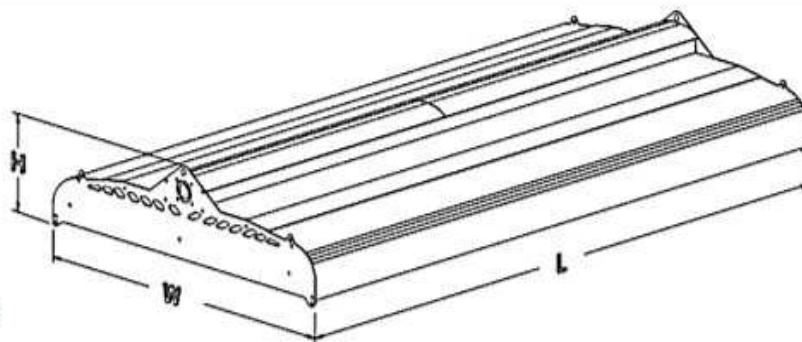


ACCESSORIES

Order as separate catalog number

SLD15L1TP	1 Pair Aircraft cable with hook	5 ft
SLD15L2TP	1 Pair Aircraft cable with hook	10 ft
SLD15L3TP	1 Pair Aircraft Cable with hook	15 ft
SLD15L4TP	1 Pair Aircraft Cable with hook	20 ft
HTWG6	Wire Guard 6 Lamp	
HTLN6	Clear Acrylic Lens 6 Lamp	
HTWL6	Wire Guard with Lens 6 Lamp	

NC Fixture No Control
OS Occupancy Sensor
SD Point of Use Point/Dim Control Module
WM Wireless Network Point/Dim Control Module
**Note - Control Components are Factory Installed and are priced separately.*



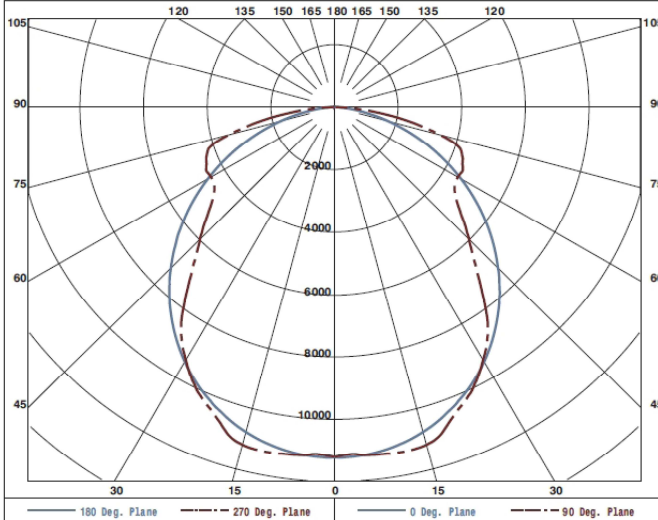
Dimensions HT-6-MM

Length 47.125"

Width 19.75"

Height 6.75"

PHOTOMETRIC DATA



Luminaire Data

Luminaire	HT Series Model: HT854L65UVRC 8-Lamp T5HO with MIRO 4 Reflector
Lamps	FP54/865/HO/ECO rated at 54 Watt Each
Lumens per Lamp	4400 Lumens
Ballast	2 Quicktronic QTP4X54T5HO/UNV-PSN-HT-W
Ballast Factor	1.00
Total Luminaire Efficiency	88.90%
Spacing Criterion	0 deg: 1.25 90 deg: 1.23
Fixture Wattage	442.5W @ 120VAC @ 25°C

Coefficients of Utilization

Effective floor cavity reflectance 20%

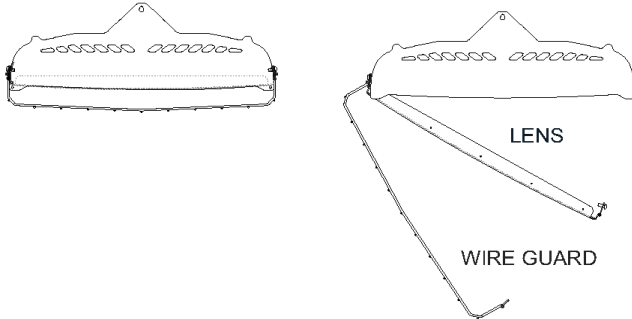
RC RW RCR	80				70				50				30			10			0
	70	50	30	10	70	50	30	10	70	50	30	10	50	30	10	50	30	10	0
0	1.059	1.059	1.059	1.059	1.034	1.034	1.034	1.034	0.988	0.988	0.988	0.988	0.946	0.946	0.946	0.907	0.907	0.907	0.889
1	0.963	0.918	0.878	0.843	0.938	0.898	0.862	0.829	0.893	0.86	0.83	0.802	0.825	0.8	0.778	0.793	0.773	0.755	0.736
2	0.874	0.799	0.736	0.684	0.85	0.782	0.724	0.675	0.807	0.75	0.701	0.659	0.72	0.68	0.644	0.693	0.66	0.63	0.61
3	0.797	0.701	0.627	0.568	0.775	0.687	0.618	0.563	0.733	0.66	0.602	0.553	0.636	0.585	0.543	0.613	0.57	0.534	0.514
4	0.73	0.622	0.543	0.483	0.71	0.61	0.536	0.479	0.672	0.588	0.523	0.473	0.567	0.511	0.466	0.548	0.499	0.46	0.44
5	0.673	0.557	0.477	0.417	0.654	0.547	0.471	0.415	0.619	0.528	0.461	0.41	0.51	0.452	0.405	0.494	0.442	0.401	0.382
6	0.622	0.503	0.423	0.365	0.605	0.494	0.419	0.364	0.573	0.478	0.411	0.36	0.463	0.403	0.357	0.449	0.396	0.354	0.335
7	0.577	0.457	0.378	0.324	0.562	0.449	0.375	0.322	0.533	0.436	0.369	0.32	0.423	0.363	0.318	0.411	0.357	0.315	0.297
8	0.538	0.418	0.342	0.29	0.524	0.411	0.339	0.289	0.498	0.399	0.334	0.287	0.388	0.329	0.285	0.378	0.324	0.283	0.266
9	0.503	0.384	0.311	0.261	0.491	0.378	0.308	0.261	0.467	0.368	0.304	0.259	0.359	0.3	0.258	0.35	0.296	0.256	0.24
10	0.472	0.355	0.284	0.237	0.461	0.35	0.282	0.237	0.44	0.341	0.279	0.236	0.333	0.275	0.235	0.325	0.272	0.234	0.218

Zonal Lumen Summary

Zone	Lumens	% of Lamp	% Luminaire
0-30	8864	25.2	28.3
0-40	14354	40.8	45.9
0-60	24056	68.3	76.8
0-90	31302	88.9	100
0-180	31302	88.9	100

Average Luminance Table (cd/m²)

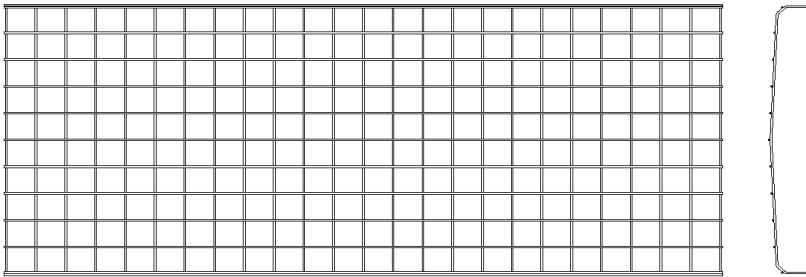
	0	45	90
0	18565	18565	18565
45	17025	16380	14019
55	15968	13329	13306
65	14273	12895	17428
75	11196	18688	22050
85	4768	14594	13628

Wire Guard and Lens Assemblies

The HT854L65UVRC Series Light fixture can be ordered with optional wire guard and lens.

1. **HTWG6** Wire Guard
2. **HTLN6** Clear Acrylic Lens
3. **HTWL6** Wire Guard with Clear Acrylic Lens

The Rapid Swing Down Design of the Wire Guard and Lens allows quick and easy installation of lamps and is the perfect solution for tight location installations. The Wire Guard and Lens are screw hinged on both sides of the fixture and can be lowered from either side for a fast and easy access to the lamps.



The HTWG6 wire guard is construct with Heavy Duty 11 gauge powder coated steel. Typical Sports and Recreational applications include , school gymnasiums, hockey and ice skating rinks, handball courts, racquetball courts, squash courts, lacrosse courts, and indoor swimming pools.



The HTLN6 is a UV Stabilized Clear Acrylic Lens that resist fading and is attached to a compact, convex shaped aluminum frame for improved strength and heat dissipation. The contour of the aluminum frame is designed to minimize light blockage so the maximize the level of light is reflected through the lens. Typical Sports and Recreational applications listed above and food packaging and manufacturing facilities.